



OPERATOR'S MANUAL  
SET-UP INSTRUCTIONS  
&  
PARTS LIST

**12 & 16 ROW CROSS AUGERS  
FOR KINZE PLANTERS**



MARKET FARM EQUIPMENT LIMITED, R.R.#1 DASHWOOD, ONTARIO, CANADA

TEL# 519-238-2301 FAX# 519-238-6044 E-MAIL: [natashagreen13@hotmail.com](mailto:natashagreen13@hotmail.com)

[www.marketfarmequipment.com](http://www.marketfarmequipment.com)

**“SERVING THE FARM INDUSTRY SINCE 1962”**

# **WARRANTY PROCEDURE**

**MARKET FARM EQUIPMENT WARRANTS THEIR MANUFACTURED PRODUCTS TO BE FREE FROM DEFECTS IN MATERIAL AND WORKMANSHIP FOR A PERIOD OF ONE (1) YEAR AFTER THE DATE OF PURCHASE TO THE FIRST END USER AND IS SUBJECT TO THE FOLLOWING CONDITIONS.**

- 1. Damage caused by improper use, negligence, or operation beyond rated capacity, improper set-up, adjustment, or any unauthorized modifications made by the dealer or customer, shall void this warranty.**
- 2. Notification of damage or warranty claims must be submitted to Market Farm Equipment (M.F.E.) within seven (7) days of the date of failure.**
- 3. All defective parts must be made available by the dealer, for inspection by M.F.E. if required, and returned at the dealer's expense.**
- 4. All warranty claims must be approved by M.F.E.**
- 5. The labour and freight required to replace defective parts is not reimbursable.**
- 6. Exchange, credit or warranty status will be based on the results of the inspection of damaged items by the manufacturer.**
- 7. Credit will be issued if and when the warranty claim is approved and MUST NOT be deducted from the account by the dealer.**
- 8. Products and/or parts not manufactured by M.F.E. are subject to their own manufacturer's warranty conditions.**

**WARRANTY CONSIDERATION IS ONLY VALID WHEN THE WARRANTY REGISTRATION FORM HAS BEEN RECEIVED BY MARKET FARM EQUIPMENT.**

# WARRANTY REGISTRATION

MARKET FARM EQUIPMENT LIMITED  
71796A BLUEWATER HIGHWAY, ONTARIO, CANADA, N0M 1N0  
Fax: 519-238-6044 E-mail: mfeltd@execulink.com

---

Purchaser's warranty protection on this equipment is valid only when this registration form is completed by the purchaser and returned to Market Farm Equipment Limited.

Date of purchase: \_\_\_\_\_

Type of equipment: \_\_\_\_\_

Model number: \_\_\_\_\_ Serial number: \_\_\_\_\_

## PURCHASER'S SIGNATURE INDICATES:

- Acceptance of equipment, fully assembled ( ) unassembled ( )
- Receipt of operator's manual
- Clear understanding of warranty
- Receipt of instructions on special safety equipment available
- Receipt of instructions on safe and proper operating procedures

## PURCHASER:

Name: \_\_\_\_\_

Signature: \_\_\_\_\_

Mailing Address: \_\_\_\_\_

Prov./State: \_\_\_\_\_ Postal/Zip Code: \_\_\_\_\_

Telephone number: \_\_\_\_\_

Purchased from: \_\_\_\_\_

**THIS WARRANTY MUST BE VALIDATED BY THE MANUFACTURER**

It is valid only when a copy of the registration has been received by the manufacturer at address shown.

# **MARKET FARM EQUIPMENT LIMITED**

## **EXPRESS WARRANTY**

**Market Farm Equipment Limited warrants against defects in construction and materials for a period of ONE year. We reserve the right to inspect and decide whether material or construction was faulty, or whether abuse or accident voids our guarantee.**

**This warranty does not cover a component which fails, malfunctions or is damaged as a result of (I) improper modification or repair, (II) accident, abuse or improper use, including loading beyond the specified maximum weights and requirements (III) improper or insufficient maintenance, or (IV) normal wear and tear.**

**THIS WARRANTY IS EXPRESSLY IN LIEU OF ALL OTHER WARRANTIES OR CONDITIONS, EXPRESS, IMPLIED OR STATUTORY, INCLUDING ANY IMPLIED WARRANTY OF MERCHANTABILITY OR FITNESS FOR A PARTICULAR PURPOSE.**

**In no way shall Market Farm Equipment Limited be liable for special, direct, incidental or consequential damages of any kind, including but not limited to labour charges.**

**The exclusive remedy under this warranty shall be repair or replacement of the defective component at Market Farm Equipment Limited's option. This is the entire agreement between Market Farm Equipment Limited and the owner about warranty. NO M.F.E. Ltd. employee or dealer is authorized to make additional warranty on behalf of Market Farm Equipment Limited.**

**(Fill in the following for future reference)**

**Serial number: \_\_\_\_\_**

**Date of purchase: \_\_\_\_\_**

**Purchased from: \_\_\_\_\_**

## SAFETY INFORMATION

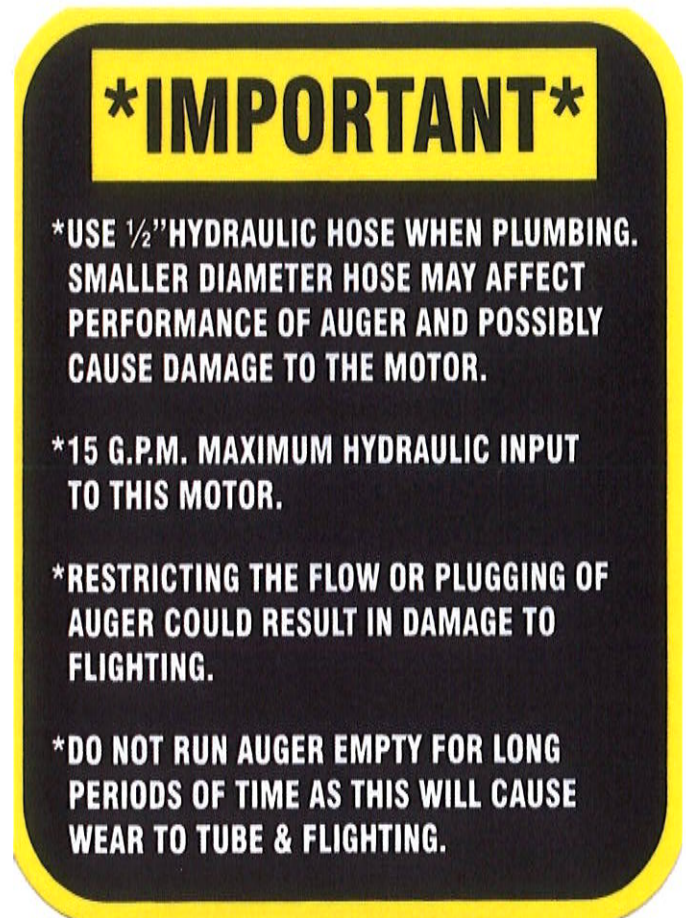
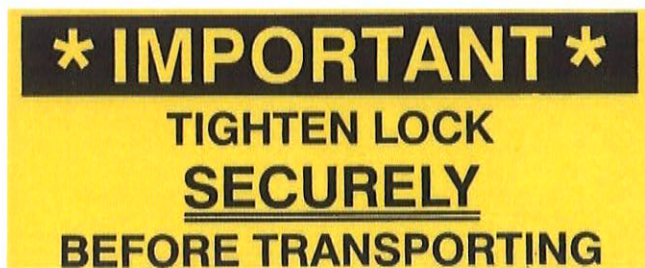
- Before using auger READ and UNDERSTAND SAFETY INSTRUCTIONS.
- After hydraulic lines are connected, run auger empty to ensure the flighting is rotating in the proper direction. (if ran backwards, damage may occur)
- Auger should be empty when moving or transporting.
- Hydraulic oil leaking under pressure can cause injury. Make sure all hydraulic connections are tight. Before disconnecting hydraulic lines, relieve pressure.
- Do not adjust, clean or service auger while it is running.
- Keep all safety shields in place. Replace any safety decals that become lost or damaged.
- Do not operate the auger in a manner that it was not intended for.
- When transporting, always keep auger in its lowest position.

### HYDRAULIC SYSTEM OPERATING RESTRICTIONS

MAXIMUM FLOW – 15 G.P.M. MAXIMUM PRESSURE – 1750 P.S.I.

MAXIMUM FLOW AND MAXIMUM PRESSURE conditions MUST NOT occur simultaneously. Damage will occur and, warranty will be void. Use only ½" hydraulic hose when plumbing. A smaller hose will create heat that will burn out the hydraulic motor, and, warranty will be void.

Do not tee into hydraulic lift cylinders on planters or drills.



## KINZE 8 ROW WIDE, 12 ROW NARROW & 16 ROW NARROW

### CROSSAUGER MOUNTING INSTRUCTIONS:

1: Remove all sections of flighting from the tubes.

2: Centre section first. Mount offset posts (#13) so that the posts are close to the hinges on planter. The posts should be mounted on the front of the 7" frame with the offset going towards the rear (back over the frame). Do not tighten u-bolts yet. Measure distance between the hinges on the centre section of the auger (centre to centre on the holes). This should be the centre to centre measurements on the 2 offset posts. Adjust posts and lightly tighten u-bolts. Loosen 3/8" bolts in the straight cross arms (#10) and slide down the posts to approx. 4" above hopper lids (lightly tighten). Slide hinge mounting brackets (#7) onto the cross arms (#10) and centre over drops. Mount center section of auger to hinge brackets (#7) using 1/2" bolts but do not tighten. Attach 7" flex hose (#50) to each end of the centre section using 2 of the 7" hose clamps (#51).

3: 1<sup>st</sup> section next. Position 1<sup>st</sup> straight post (#12) between the 1<sup>st</sup> and 2<sup>nd</sup> fertilizer hoppers. The 2 straight posts should be mounted on the rear of the 7" frame. Loosen the 3/8" bolts in the swing cross arm (#48) and slide down the straight post to approx. 4" above hopper lids (lightly tighten). Loosen collars to allow clamp band to be centered over the fertilizer hoppers then re-tighten collars. Remove top half of the round tube clamp band (#45) and set 1<sup>st</sup> section of the cross auger in the lower half. Re-attach top clamp band but do not tighten. Mount to the hinge mounting bracket (#7) using the 1/2" bolts that are holding the centre section in place. Tighten 1/2" bolts on the hinge mounting bracket (#7).

4: Mount 3<sup>rd</sup> section the same way as the 1<sup>st</sup>. Post position will be between the last 2 fertilizer hoppers.

5: The space between the tube sections should be app. 1". Cover with flex hose (#50) and secure to the outer tubes using the 7" hose clamps (#51).

6: Straighten centre posts and tighten u-bolts. Straighten outside posts making sure that the swing cross arm is straight up and down and then tighten u-bolts and clamp bands.

7: Adjust height of auger so that the bottom of the drops (#3) are 4" above lids on the fertilizer hoppers. This is done by raising or lowering the cross arm positions.

8: Remove plastic end cap (#11). Slide 1<sup>st</sup> section of flighting into the end of the auger tube. Couple 2<sup>nd</sup> section of flighting to the 1<sup>st</sup> using the HD U-Joint (#44). The ends are color coded. Continue to slide the flighting into the tube then connect the 3<sup>rd</sup> section of flighting to the 2<sup>nd</sup>. Slide flighting all the way in and attach to the motor. Replace the plastic end cap (#11).

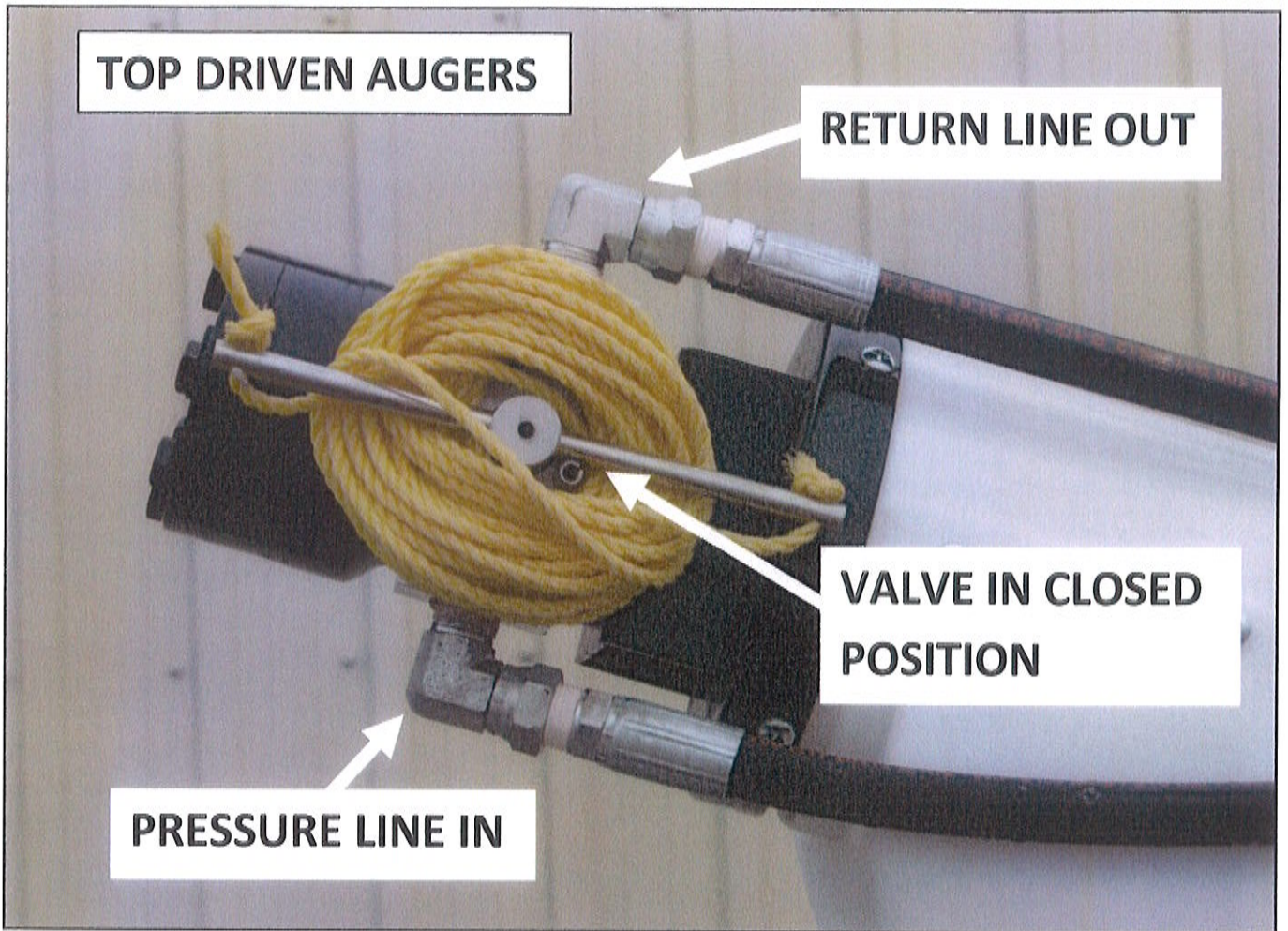
9: Plumb hydraulics using 1/2" hose with N.P.T. ends. DO NOT USE O-RING FITTINGS

**TOP DRIVEN AUGERS**

**RETURN LINE OUT**

**VALVE IN CLOSED POSITION**

**PRESSURE LINE IN**



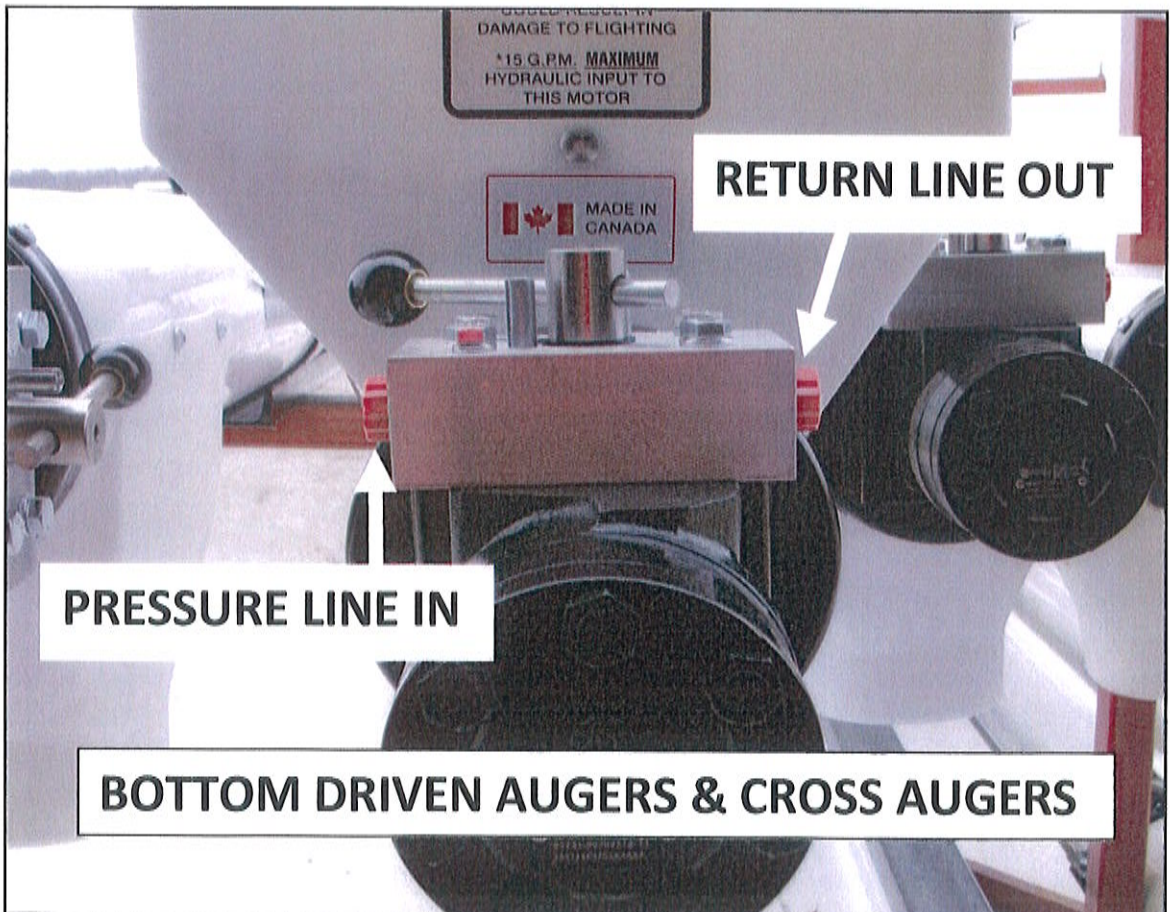
**DO NOT EXCEED  
DAMAGE TO FLIGHTING  
\* 15 G.P.M. MAXIMUM  
HYDRAULIC INPUT TO  
THIS MOTOR**

**MADE IN  
CANADA**

**RETURN LINE OUT**

**PRESSURE LINE IN**

**BOTTOM DRIVEN AUGERS & CROSS AUGERS**



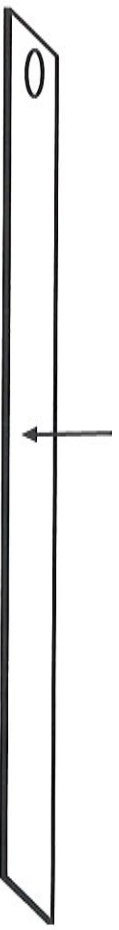
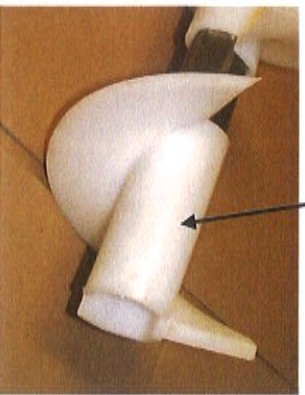
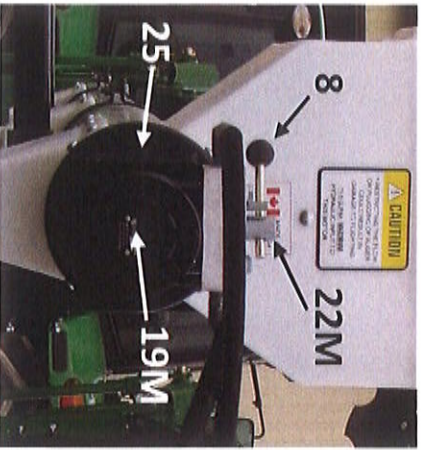
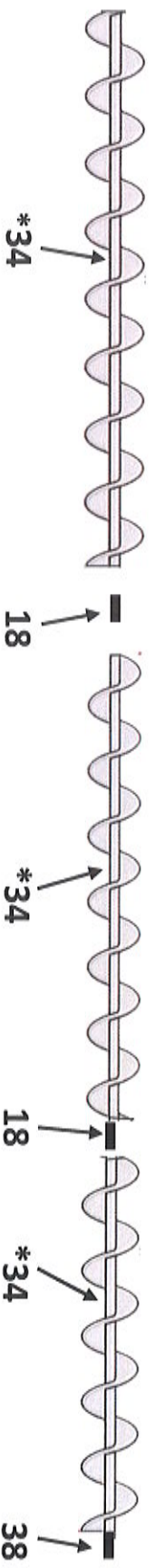
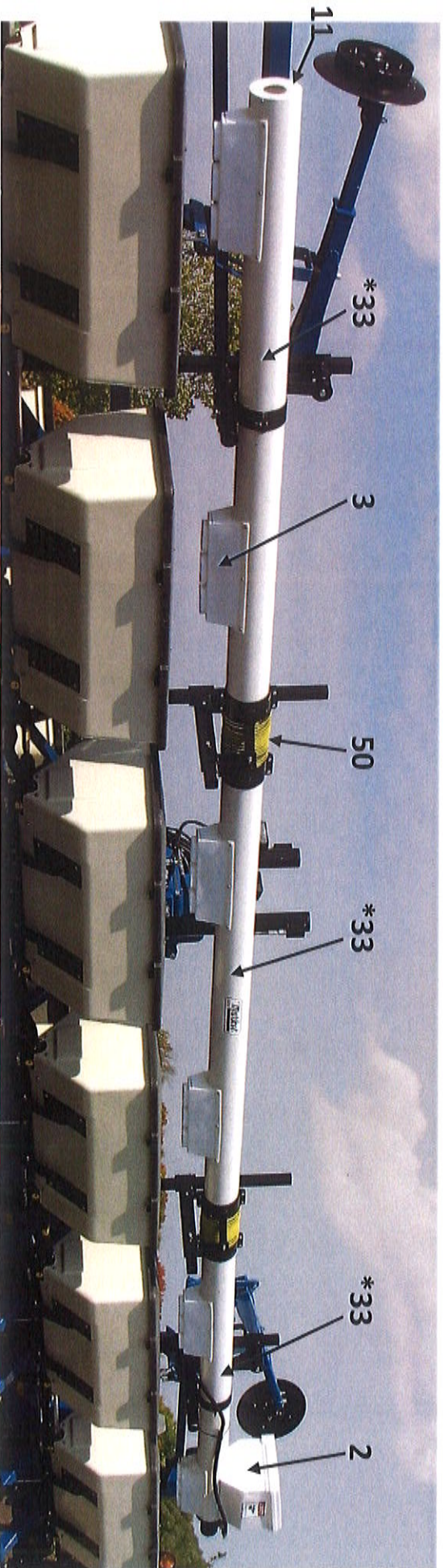
## 6" PLANTER CROSS AUGER (FERTILIZER) KINZE 12/16 ROW PARTS LIST

REF #	PRO CD	DESCRIPTION
2	195	6" CROSS AUGER HOPPER & LID ASSY WITH SCREEN
2A	654	CROSS AUGER HOPPER & LID ONLY
2B	547	SAFETY SCREEN (FOR HOPPER) (NOT SHOWN)
3	196	6" PLASTIC FERTILIZER DROP
4	197	SHUT OFF SLIDE FOR FERTILIZER DROP
7	1163	HINGE ASSEMBLY
8	581	VALVE HANDLE WITH BLACK KNOB
10	935	REGULAR CROSS ARM
11	398	PLASTIC END CAP W/ HOLE
12	1420	68" STRAIGHT POST (FOR HOPPER EXTENSIONS)
12A	1584	ANGLE IRON POST SUPPORT
13	1689	60" FORMED POST C/W PLATE (SPECIFY LEFT OR RIGHT)
15	1181	HINGE MOUNTING BRACKET
18	755	U-JOINT
19M	395	6 CUBIC INCH MOTOR (12 ROW)
19M	173	10 CUBIC INCH MOTOR (16 ROW)
22M	117	MANIFOLD MOUNT VALVE
25	198	6" MOTOR MOUNT PLATE
27	181	½ PLAIN CLAMP BAND
33	193 X__	6" PVC TUBE (SPECIFY LENGTH)
35	153 X__	6" PLASTIC FLIGHTING (SPECIFY LENGTH) UN-PREPARED
36	397	6" PLASTIC MODULE (5 5/8")
38	402	STAINLESS STEEL MOTOR COUPLER
42	1497	7" U-BOLT (SHORT)
42A	1496	7" U-BOLT (LONG)
45	1575	SWING ARM COLLAR
46	1182	CLAMP BAND C/W ROUND PIPE ASSY (W/ #27)
48	1165	SPECIAL SWING CROSS ARM
50	163	7" X 12" FLEX PIECE
51	447	7" HOSE CLAMP

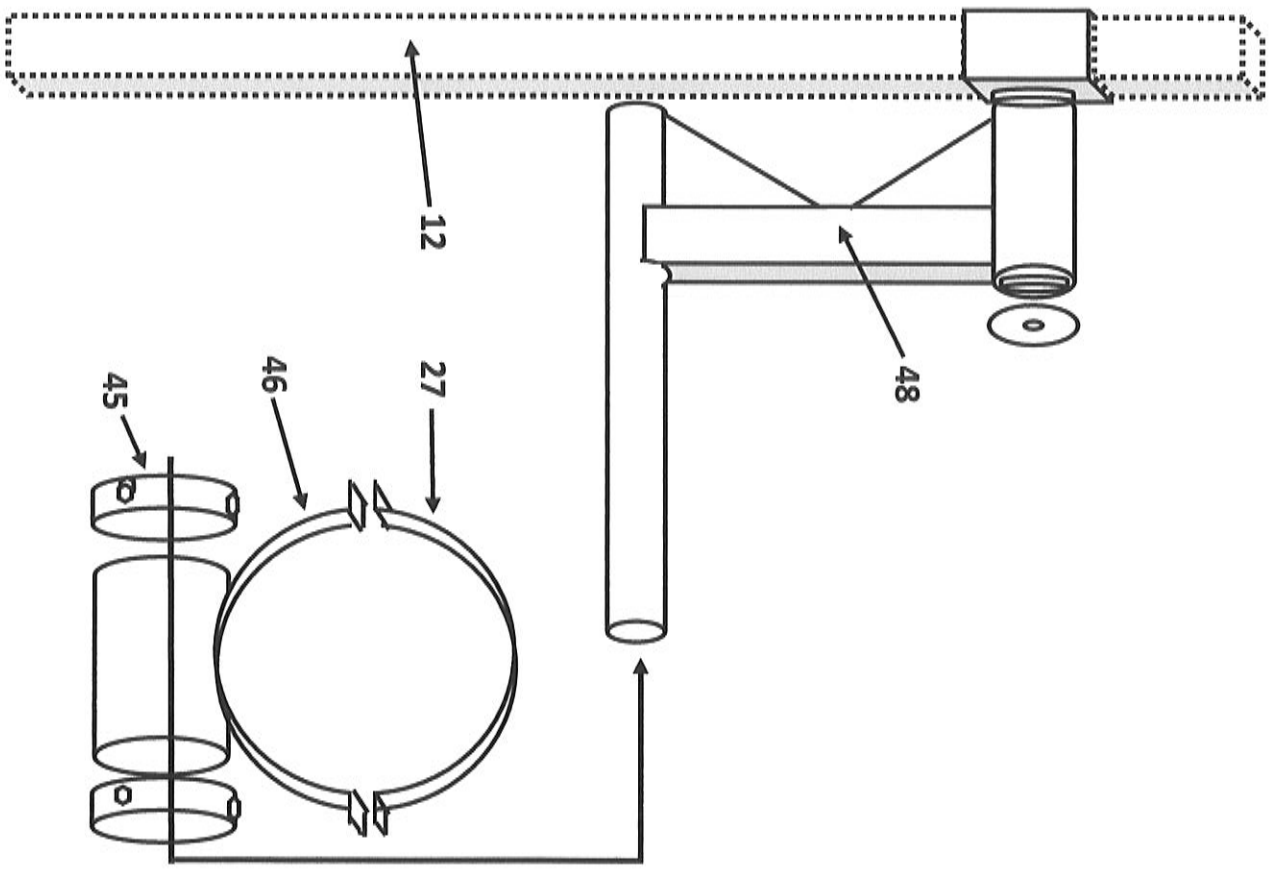
**\*\*ALL NUTS & BOLTS SOLD SEPERATELY\*\***

\*IF ORDERING REPLACEMENT FLIGHTING/TUBING, PLEASE PROVIDE SERIAL NUMBER  
OFF AUGER (LOCATED BETWEEN THE HOPPER AND THE MOTOR – ON THE TUBE)

# 12 & 16 ROW CROSS AUGER FOR KINZE PLANTERS

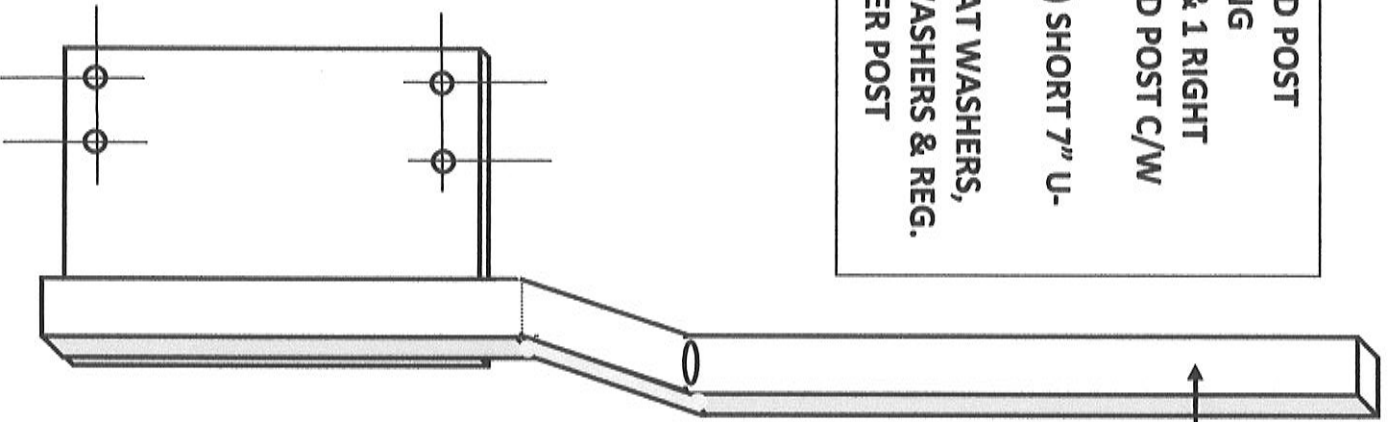


# KINZE HARDWARE (SWING ARMS)

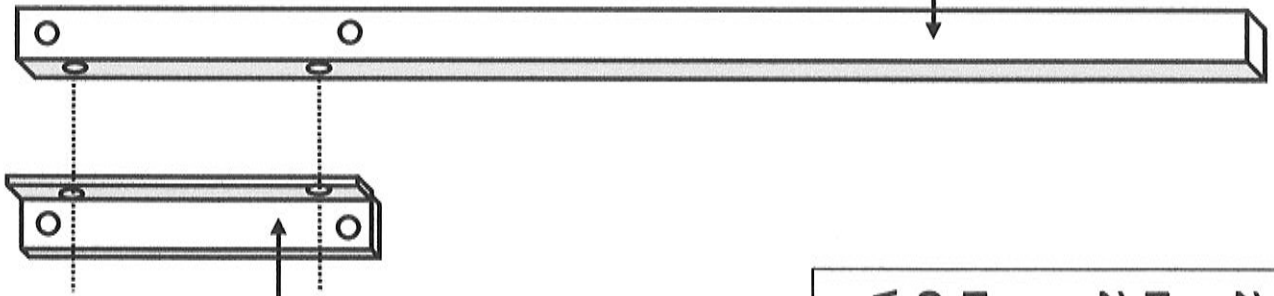


# KINZE HARDWARE (POSTS)

FORMED POST  
 60" LONG  
 1 LEFT & 1 RIGHT  
 FORMED POST C/W  
 PLATE  
 (REQ. 2) SHORT 7" U-  
 BOLTS  
 C/W FLAT WASHERS,  
 LOCK WASHERS & REG.  
 NUTS PER POST



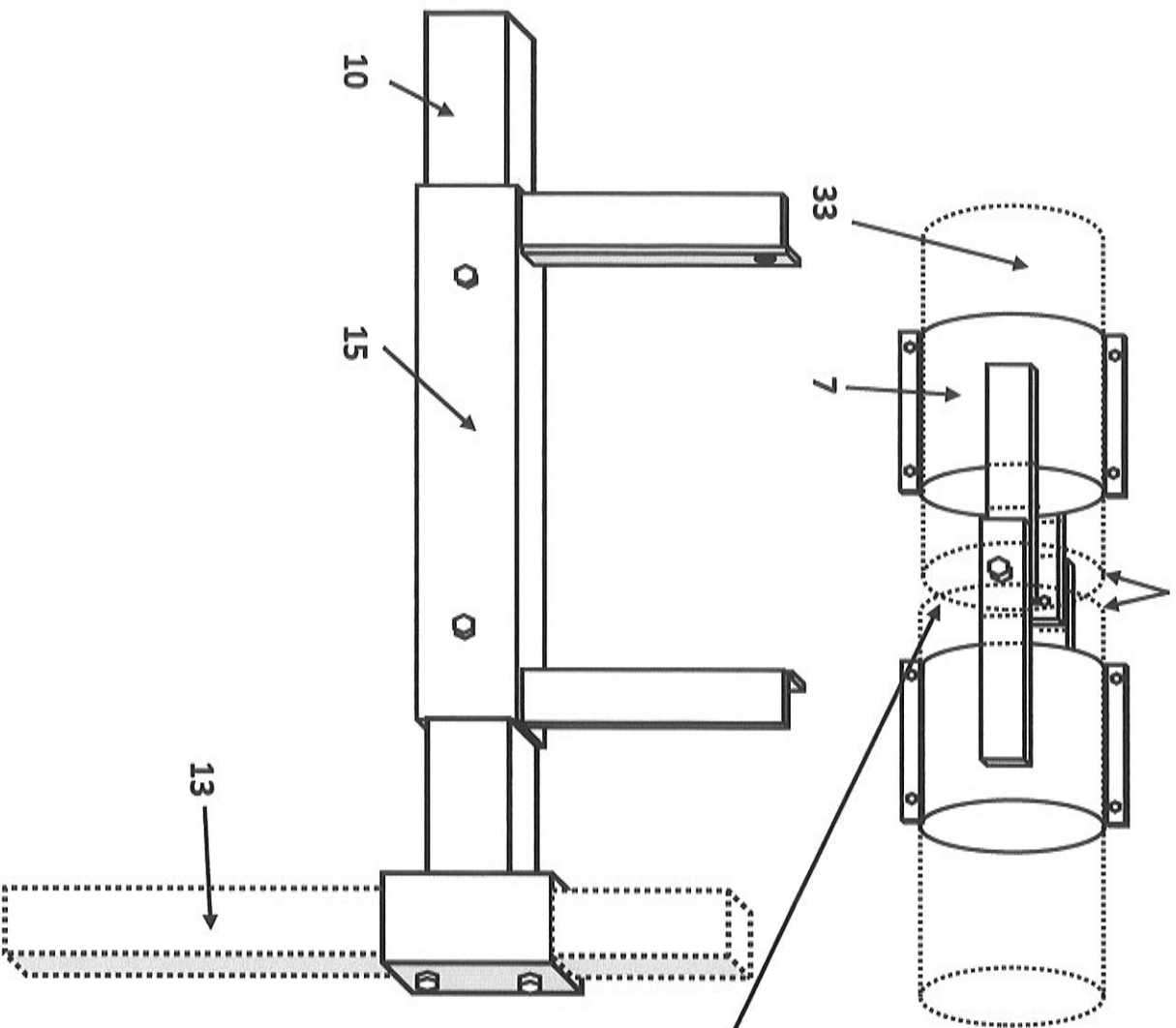
MECHANICAL/EDGE-VAC (NO EXT.)  
 2" SQ 188 WALL 60" LONG  
 MECHANICAL/EDGE-VAC (EXT.)  
 2" SQ. 188 WALL 68" LONG  
 REQ. 1 SHORT & 1 LONG 7" U-BOLT  
 C/W FLAT WASHERS, LOCK  
 WASHERS & REG. NUTS PER POST



REQ. 1/2" X 3" BOLTS C/W  
 LOCKWASHERS & REG.

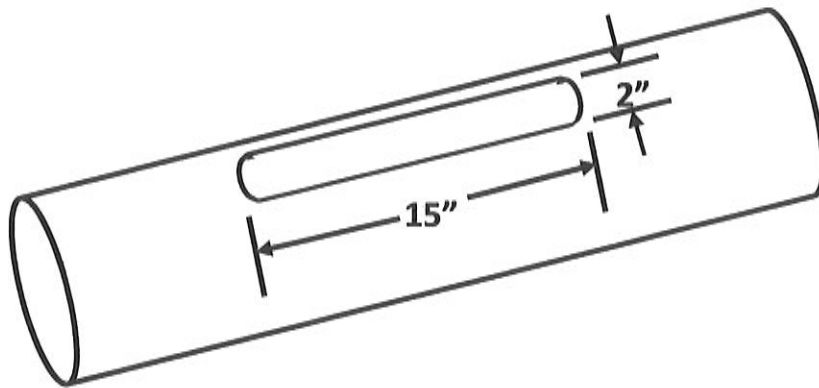
# KINZE HARDWARE (HINGES)

1" BETWEEN TUBES



HINGE ASSEMBLY  
(50) 7" FLEX HOSE (12" LONG)  
(51) 7" HOSE CLAMPS

# MOUNTING INSTRUCTIONS FOR CROSS AUGER DROPS



**BEFORE CUTTING, REMOVE END BEARING/ OVERFLOW ENDCAP AND PLASTIC FLIGHTING.**

**DRILL A 3/8" PILOT HOLE AT THE END OF THE SLOT. USE A JIG SAW TO CUT SLOT OUT.**

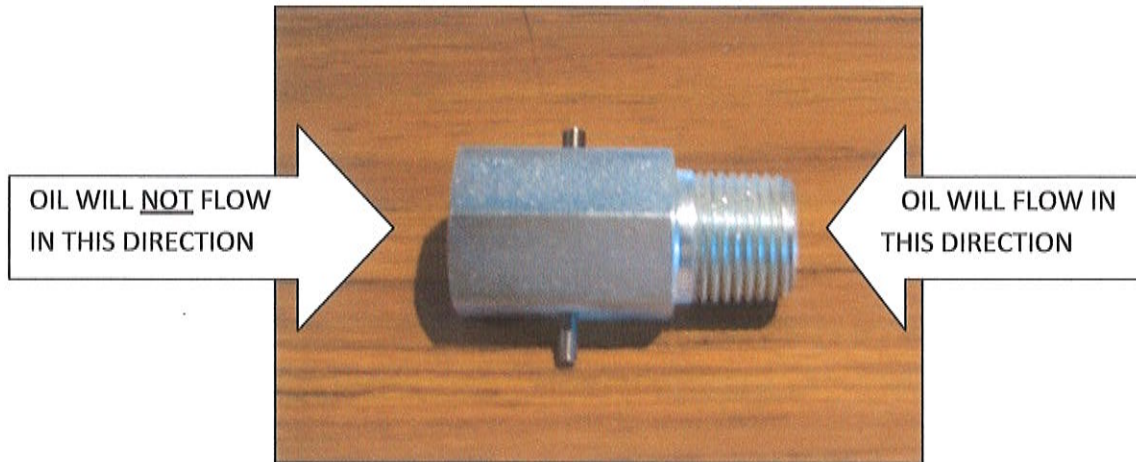
**PLACE PLASTIC DROP OVER CUT OUT SLOT AND CENTER. DRILL (3) 1/8" HOLES ON END SIDE AND ATTACH USING 1/2" MACHINE SCREWS SUPPLIED**

**MAKE SURE DROPS ARE ALL STRAIGHT BEFORE ATTACHING.**

## OPTIONAL VALVES FOR HYDRAULIC AUGERS

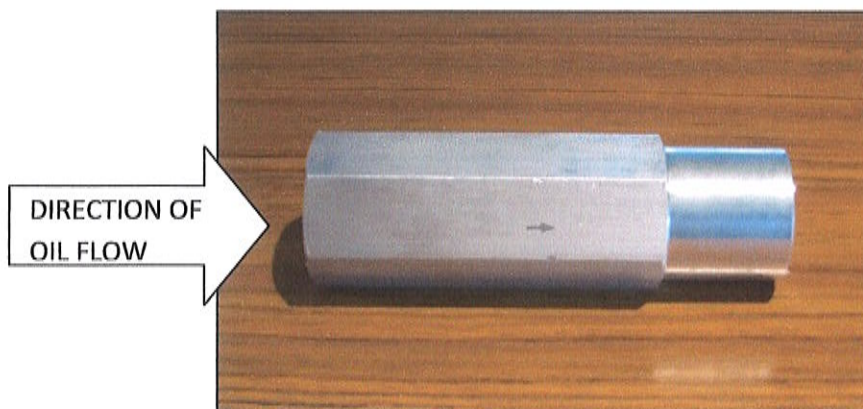
**Note: These optional valves do not replace the shut-off valve on the auger.**

A directional valve fitting can be installed to restrict the auger from running in the reverse direction. This valve should be installed on the return line, between the valve on motor and the tractor. Thread is  $\frac{1}{2}$ " NPT. **RECOMMENDED FOR AUGERS THAT SHOULD NOT BE RUN IN REVERSE, AS IT MAY CAUSE DAMAGE TO THE FLIGHTING.**



An in-line, pressure compensated, nonadjustable flow regulator valve is available for CLOSED CENTER HYDRAULIC SYSTEMS. In the controlled direction, this regulator will maintain a constant flow rate of 10 GPM. This valve should be installed on the pressure line, between the tractor and the valve on motor. Thread is  $\frac{3}{4}$ " NPTF (must be reduced to  $\frac{1}{2}$ " )

**RECOMMENDED FOR AUGERS OPERATED BY LARGER TRACTORS WITH LARGER HYDRAULIC OUTPUT.**



**Augers operate best at 10-12 GPM & 1200-1500 PSI.**

**Market Farm Equipment Ltd. RR# 1 Dashwood, Ontario, Canada N0M 1N0  
E-Mail [mfeltd@execulink.com](mailto:mfeltd@execulink.com) Web-Site [www.marketfarmequipment.com](http://www.marketfarmequipment.com)**